

ALUMINUM RIDGE COVER
(Ø50) CONTINUOUS

ALUMINUM RIDGE PLATE
BETWEEN RAFTERS (Ø63)

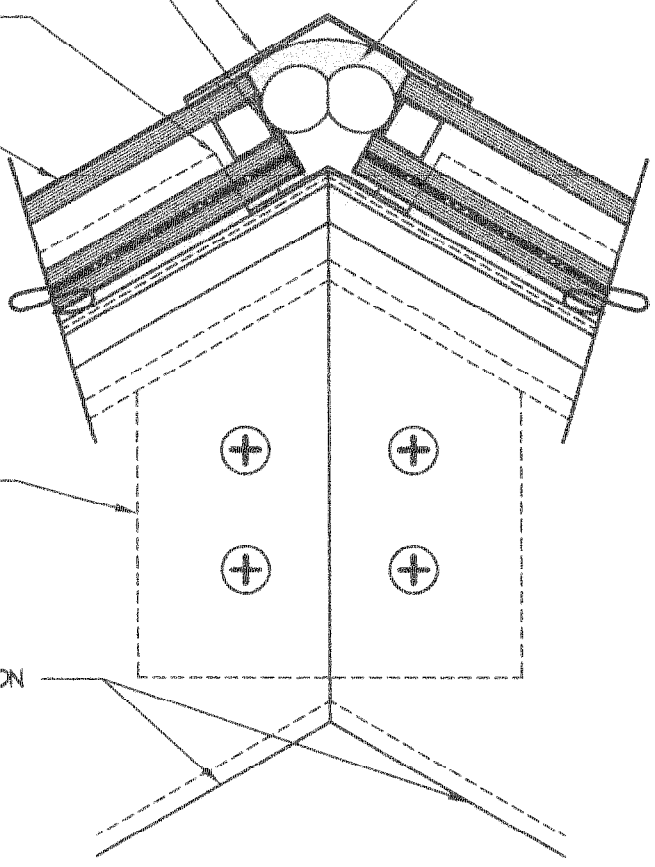
NOTCH SCREW RACE AT
RIDGE TO ALLOW FOR
RIDGE COVER

GLASS (SEE NOTE)

SILICONE SEALANT
& BACKER ROD

INTERNAL CONNECTOR W/
¼" F.H.S.S. BOLTS
(IF APPLICABLE)

RAFTER TUBES (4" EXTRUSION
SHOWN) (WELD TOGETHER
IF APPLICABLE)



3B RIDGE DETAIL
SCALE: ½" = 1'-0"

NOTE:

- 1 3/16" INSULATED GLAZING SHOWN (THICKNESS & TYPE PER ARCHITECT AND ENGINEER)
- CONNECTION AT RIDGE MUST BE REVIEWED BY ENGINEER TO VERIFY LOADING OF RAFTERS.
- VARIABLE SLOPE

EVERGREEN HOUSE

13645 NE. 126th Place, Kirkland, WA 98034 (425) 821-1005 FAX (425) 823-5619

STRUCTURAL DETAILS

DRAWN BY: JUD

DRAWING NUMBER:

DATE: OCT. 11

ST-3B