

RAFTER (4" EXTRUSION SHOWN)

ALUMINUM FLASHING (Ø50)

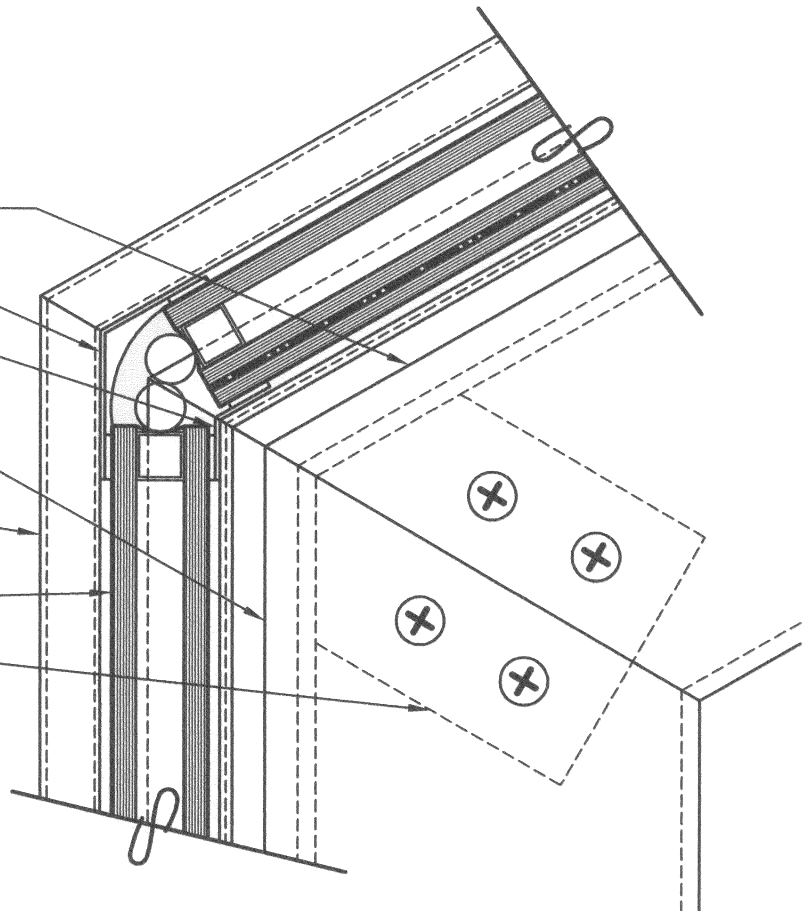
ALUMINUM FLASHING (Ø63)

VERTICAL (4" EXT. SHOWN)

CAP EXTRUSION &
STANDARD COVER

GLASS (SEE NOTE)

INTERNAL CONNECTOR
W/ 1/4" Ø F.H.S.S. BOLTS
(WELD CONNECTOR TO
HEADER TUBE)



8B TRANSITION DETAIL
SCALE: 1/2" = 1'-0"

NOTE:

- 1" INSULATED VERTICAL GLAZING AND 3/16" INSULATED SLOPED GLAZING SHOWN (THICKNESS & TYPE PER ARCHITECT AND ENGINEER)
- HEADER AND RAFTER TUBE SIZE PER DESIGN CRITERIA.
- VARIABLE SLOPE.

EVERGREEN HOUSE

13645 N.E. 126th Place, Kirkland, WA 98034

(425) 821-1005 FAX (425) 823-5619

TYPICAL DETAILS

DRAWN BY: JJD

DATE: OCT. 11

DRAWING NUMBER:

T-8B